

# FBX7R01R5: 1-port wireless long range receiver

## Technical specification



### Precautions and mounting locations:

- Should not directly connect to motors to avoid initial boot up surge currents
- Mounted on the top of door / wall
- Easy mounting with 4 screws to secure it tightly
- IP65 enclosure unit, robust and weatherproof
- Keep away from metallic enclosures

### Wall mount calling unit:

Enclosure type: IP 65 (color grey)

Size: 190 x 90 x 55 mm

Weight: 350gms

### Application and features:

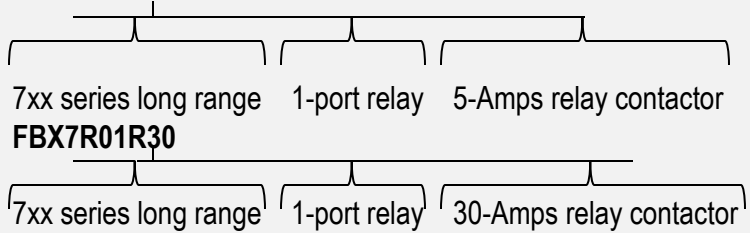
- Motor pump controllers
- Panic alarm in buildings (in case of emergency) etc.

### Operating voltage:

110-220VAC/50-60Hz to 12VDC converter adapter supplied.

Unit can also be plugged to any 12V external battery. Active working hours depends on the battery power.

### FBX7R01R5 Long range 1-channel signal receiver (wall mounted)



### Features:

- Single channel long range Receiver (2-3Kms range)
- 1 indicators RED light in the front 1 port relay
- 1 indicator BLUE SYNC light to check signal reception
- 5Amps / 30Amps potential free relay contactor terminals
- Transmitter signal triggers the corresponding relay ON/OFF
- 1-meter wire / rubber duck antenna (+3dbi)
- Compatible with high power transmitters FBX7xx series

### Technical details:

Operating frequency: 380 – 480 MHz

System works on signal hop mechanism. Reception happens at more than 12-15 predefined frequencies

CRC on data payload: Enabled

Packet Error Rate: PER (1%)

Redundancy packet feature: Enabled

fOsc = 32MHz

Modulation type: GFSK

Radio IC: CC1100 (Chipcon/TI) and equivalents in sub-GHz freq.

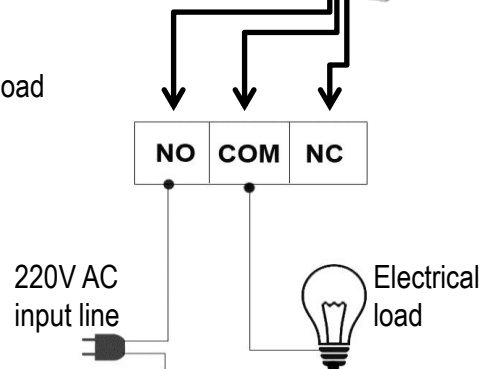
Receiver sensitivity: – 112 dbm

Operating voltage of the transmitter: 12VDC

Operating temperature: 25 °C



Wiring diagram to connect to electrical load



FORBIX SEMICON INDIA PVT. LTD.

Bangalore, India

Website: <https://www.forbixindia.com>

+91 9742370190 / +91 9742159846

FORBIX Osäuhing,

Tallinn, Estonia

Website: <https://www.forbix.eu>

+372 880 1510

Email: [sales@forbixindia.com](mailto:sales@forbixindia.com)