



FBXG1: GSM manual water pump controller

Send SMS from any mobile phone to turn ON/OFF the motor pump. Supports dual pump. Either single phase less than 2HP direct drive or DOL drive pump for more than 2HP.

SMS commands:

FBXON: Turns ON pump on DOL mode

FBXOFF: Turns OFF pump in DOL mode

FBXPON: Turns ON pump in direct mode drive

FBXPOFF: Turns OFF pump in direct mode drive

FBXCHK: Checks the status of the pump

FBXRST: Soft resets to change modes

Features:

- SMS from mobile phone to turn the pump ON/OFF
- SMS to check the status of the pump
- Dual mode motor pump support
 - Direct drive for less than 2HP motor
 - DOL drive for more than 2HP motor
- Automatic SMS acknowledgement after turning pump ON/OFF
- 2-port 30Amps potential free relay outputs
- No need to program or configure SIM card number to the device
- 2G/3G/4G/5G SIM module card can be used to communicate
- The transmitter GSM protocol to send alert messages

Technical details:

- Inbuilt Dual Band GSM/GPRS engine
- Transmitting power: Class 4 (2W) at EGSM 900, Class 1 (1W) at DCS 1800
- Operating Temperature: -30°C to +80°C
- Storage Temperature: -5°C to +90°C
- DATA GPRS: download transfer max is 85.6KBps, upload transfer max 42.8KBps

Indicators for pump controller receiver:

Power: GREEN

Motor ON: GREEN

Automatic /Manual mode: RED

SMS propagation delay, can vary from 10-20 seconds to over 3-4 minutes. All messages will be executed on first come first serve

Application and features:

- Automatic turning ON/OFF a water pump from a distant location
- Turning motor pump ON/OFF by sending SMS commands from another mobile / cell phone.
- Automatic / manual mode of operation

Precautions and mounting locations:

- Mounted on the top of door / wall
- Easy mounting with 4 screws to secure it tightly
- IP65 enclosure unit, robust and weatherproof
- For indoor/outdoor purposes
- Keep away from metallic surroundings

Wall mount calling unit:

- Transmitter enclosure type: IP 65 (color grey)
- Size: 190 x 140 x 70 mm
- Outside body: metal enclosure
- Metallic enclosure unit: :280 x 230 x 130mm
- Metallic enclosure weight: 1500 gms

Operating voltage:

110-220VAC/50-60Hz to 12VDC converter adapter supplied.

Unit can also be plugged to any 12V external battery. Active working hours depends on the battery power.

FORBIX SEMICON INDIA PVT. LTD.

Bangalore, India

Website: <https://www.forbixindia.com>

+91 9742159846 / +91 9742370190

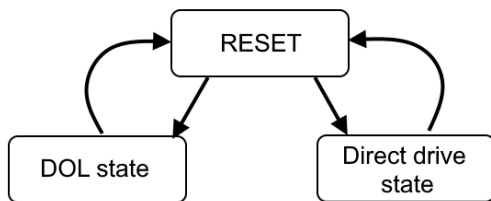
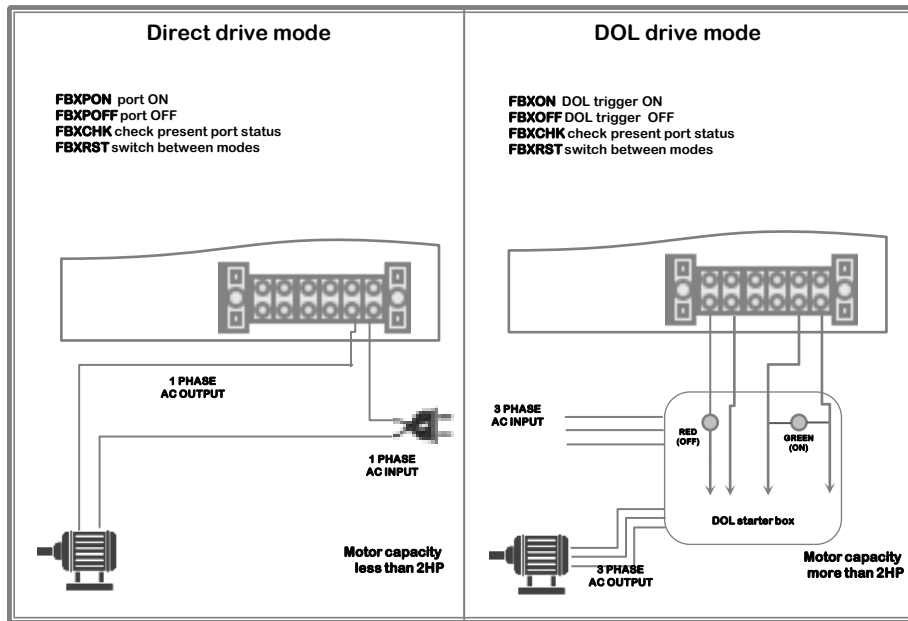
FORBIX Osäuhing,

Tallinn, Estonia

Website: <https://www.forbix.eu>

+372 586 07 111

Email: sales@forbixindia.com



Internal state machine:

- Default state is RESET
- Valid messages in DOL state:
 - **FBXON**
 - **FBXOFF**
- Valid messages in direct drive state:
 - **FBXPON**
 - **FBXPOFF**
- To check pump status: **FBXCHK**
- To switch between models: **FBXRST**

Steps to use:

- Step 1:** Make connections as per the wiring connections shown in the diagram above, depending on the motor capacity.
- Step 2:** Insert an active SIM card in the right side slot of the device
- Step 3:** Connect the 12volt power supply chord to the DC jack. The 110-220VAC to 12VDC adapter plug comes along with the set.
- Step 4:** Now set send SMS from any mobile phone to the SIM card number inserted in the device to make the pump ON or OFF.

The GSM pump controller device operates in 2 possible modes:

- **Mode 1:** DOL drive for more than 2HP motor
- **Mode 2:** Direct drive pump mode for pumps less than 2HP

Indicator debug on device:

- GREEN indicator is constant high (power up)
- BLUE indicator
 - Slow blinks once every 3 seconds, indicates that device is connected the GSM network (from the nearest available tower)
 - Fast blinks once every 1 second, indicates that the device has lost connection with the GSM tower. In this case restart the device with a few minutes halt time
- RED indicator ON means pump is in ON condition

Note:

- On successful message reception, sender mobile phone will receiver an acknowledgement SMS
- At times of heavy network traffic or promotional messages on SIM card, the execution may even take up to 3-4 minutes
- It is advised to occasionally delete unwanted SMS in the SIM

FORBIX SEMICON INDIA PVT. LTD.

Bangalore, India

Website: <https://www.forbixindia.com>

+91 9742159846 / +91 9742370190

FORBIX Osäuhing,

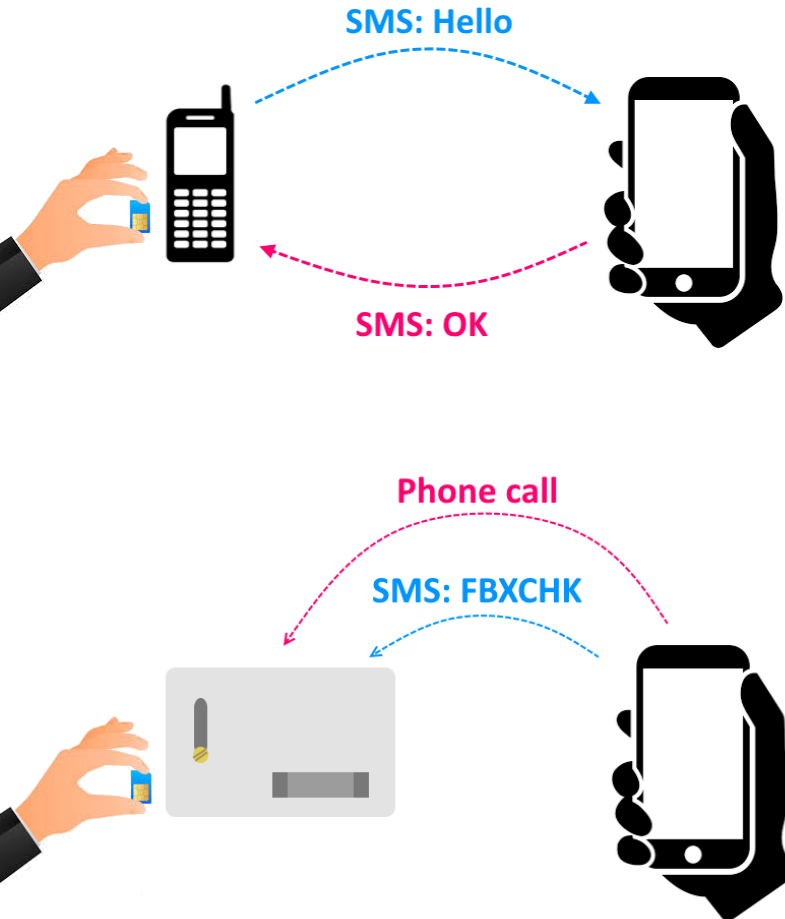
Tallinn, Estonia

Website: <https://www.forbix.eu>

+372 586 07 111

Email: sales@forbixindia.com

Troubleshooting



Step1: Send/receive SMS using any other phone to make sure SIM card works fine (and there is enough currency balance)

Step2: Make sure the BLUE SYNC indicator LED blinks once in every 2-3 seconds. This shows that the SIM card is able to reach to the nearest cell phone tower

Step3: Insert the SIM card now in the GSM pump controller module and make a phone call (from the user cell phone)
Response: A dialling ring sound should be audible on the user phone

Step4: Send SMS: **FBXCHK** from the user phone. Make sure there is no blank space after FBXCHK. It is advised **not to** copy paste or, not to auto fill from suggestion box, while sending the SMS
Response: GSM pump controller device will send back status of the pump (either "DOL Pump is now ON" or "DOL Pump is now OFF")

FORBIX SEMICON INDIA PVT. LTD.
Bangalore, India
Website: <https://www.forbixindia.com>
+91 9742159846 / +91 9742370190

FORBIX Osäühing,
Tallinn, Estonia
Website: <https://www.forbix.eu>
+372 586 07 111

Email: sales@forbixindia.com

