

FBXRC12+FBX7R11R5: Wireless 11 channel remote receiver

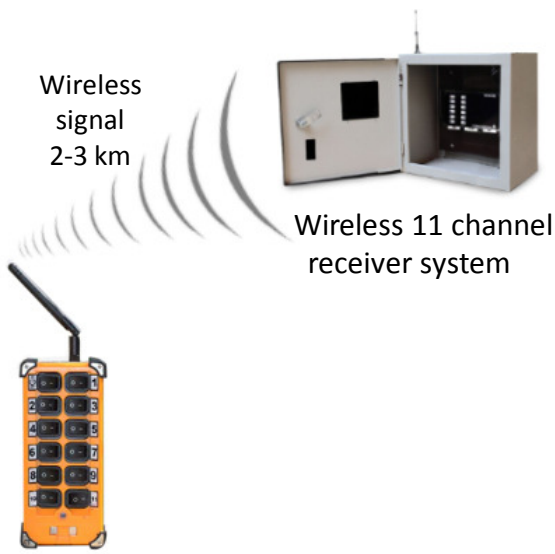
Technical specification

Model: FBXRC12 + FBX7R11R5

Handheld wireless 11 channel remote receiver system

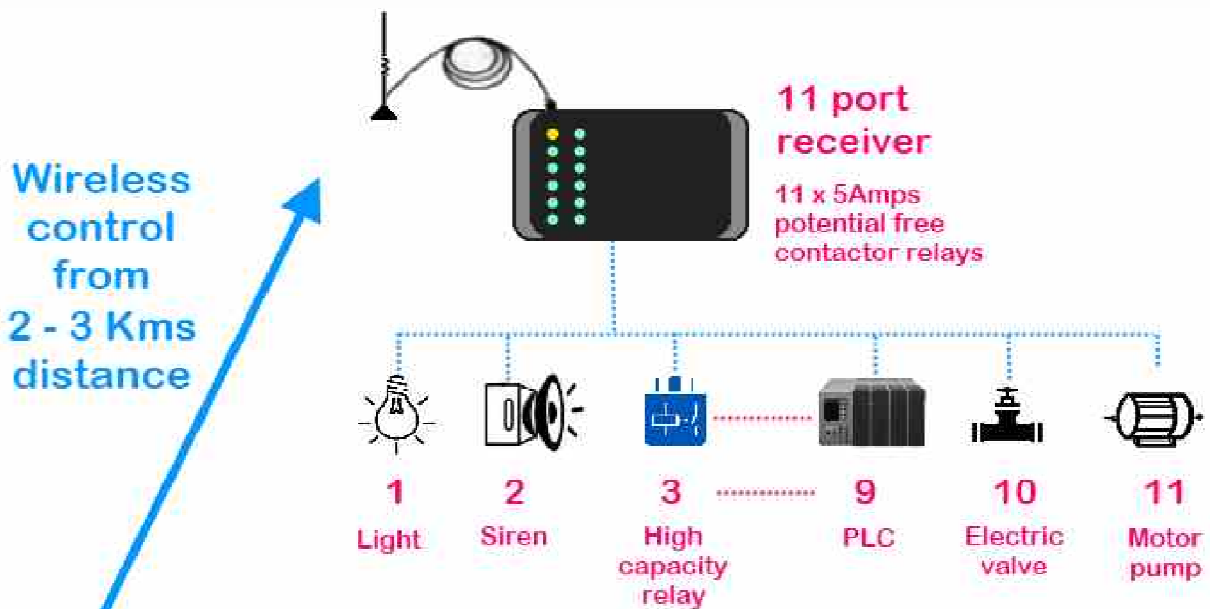
Features:

- 12 button remote controller
- 11 signal buttons + 1 power ON/OFF button
- Battery operated remote controller
- Each button is ON/OFF
- ON press at the remote turn ON the corresponding receiver relay
- OFF at a button turns OFF the corresponding receiver relay
- Communication Range 2-3 km
- Transmitter ON signal triggers the relay ON (indicator turns ON)
- Transmitter OFF signal triggers the relay OFF (indicator turns OFF)
- Receiver long range (1-meter) wire / rubber duck antenna (+3dbi)
- Compatible with high power transmitters FBX7xx series



Wireless 11 channel receiver system

Wireless 11 channel remote



Reference picture

FBXRC12: Wireless 11 channel transmitter remote

Technical specification



Model FBXRC12

Handheld wireless 11 channel transmitter remote

Features:

- 12 button remote controller
- 11 signal buttons + 1 power ON/OFF button
- Battery operated remote controller
- Each button is ON/OFF
- ON press at the remote turn ON the corresponding receiver relay
- OFF at a button turns OFF the corresponding receiver relay
- Communication Range 2-3 km

Technical details:

- Transmitter with external PA +28dbm
- Operating frequency: 380 – 480 MHz
- System operates works on signal hop mechanism. Signal transmission happens at more than 12-15 predefined frequencies
- Modulation type: GFSK
- Radio IC: CC1100 (Chipcon/TI) and other equivalents in sub-GHz freq.
- Modulation: GFSK
- Data packet error correction mechanism: FEC

Operating voltage:

12 Volt DC battery (at the bottom)
Battery model: 23A
Battery life: 2-3 years
Battery type: Alkaline (dry)
Battery replaceable: Yes
Battery rechargeable: No

Signal transmissions:

Make sure to press a button for at least 2-3 seconds for reliable transmission. This increases the range of communication

Remote unit:

Enclosure type:

Remote controller size: 165x 15 x 45 mm

Remote controller weight: 250 gms

Application and features:

- Controlling lights or electrical devices from a very long distance
- Sea port, open/close of bridges for ship movements
- Open / close of gate, barricades, Sutter etc. by controlling the motors
- Operating conveyer belt movement from a distant location

FORBIX SEMICON INDIA PVT. LTD.

Bangalore, India

Website: <https://www.forbixindia.com>

+91 9742370190 / +91 9742159846

FORBIX Osäuhing,

Tallinn, Estonia

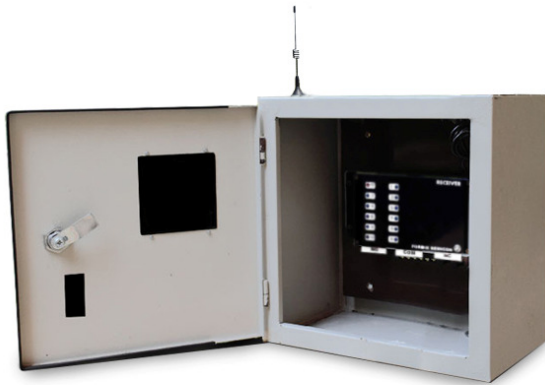
Website: <https://www.forbix.eu>

+372 880 1510

Email: sales@forbixindia.com

FBX7R11R5 : Wireless 11 channel receiver system

Technical specification



Model : FBX7R11R5

Long range wireless 11 port receiver unit

Features:

- 11-port long range wireless receiver unit (in metallic enclosure)
- 11 indicators RED light in the front (corresponding to 1 port relay)
- 11 indicator BLUE SYNC light to check signal reception
- 11 nos. of 5Amps potential free relay contactor terminals
- Transmitter ON signal triggers the relay ON (indicator turns ON)
- Transmitter OFF signal triggers the relay OFF (indicator turns OFF)
- Long range (1-meter) wire / rubber duck antenna (+3dbi)
- Compatible with high power transmitters FBX7xx series

Technical details:

Operating frequency: 380 – 480 MHz

System works on signal hop mechanism. Reception happens at more than 12-15 predefined frequencies

CRC on data payload: Enabled

Packet Error Rate: PER (1%)

Redundancy packet feature: Enabled

fOsc = 32MHz

Modulation type: GFSK

Radio IC: CC1100 (Chipcon/TI) and equivalents in sub-GHz freq.

Receiver sensitivity: – 112 dbm

Operating voltage of the transmitter: 12VDC

Operating temperature: 25 °C

Relay contact points spec: 30 A @ 220VAC (max)

Should not directly connect to motors to avoid initial bootup surge currents

Operating voltage:

12 Volt DC (110-220VAC/50-60Hz) adapter supplied

Signal transmissions:

Make sure to press a button for at least 2-3 seconds for reliable transmission. This increases the range of communication

Application and features:

- Overhead crane maneuvering from a distant location
- Open / close of gate, barricades, Sutter etc.by controlling the motors
- Operating conveyer belt movement from a distant location

Wall mount calling unit:

Outside body: metal enclosure

Metallic enclosure dimension: 300x300x170 mm

Receiver enclosure type: IP 65 (color black)

Weight: 3500 gms

FORBIX SEMICON INDIA PVT. LTD.

Bangalore, India

Website: <https://www.forbixindia.com>

+91 9742370190 / +91 9742159846

FORBIX Osäühing,

Tallinn, Estonia

Website: <https://www.forbix.eu>

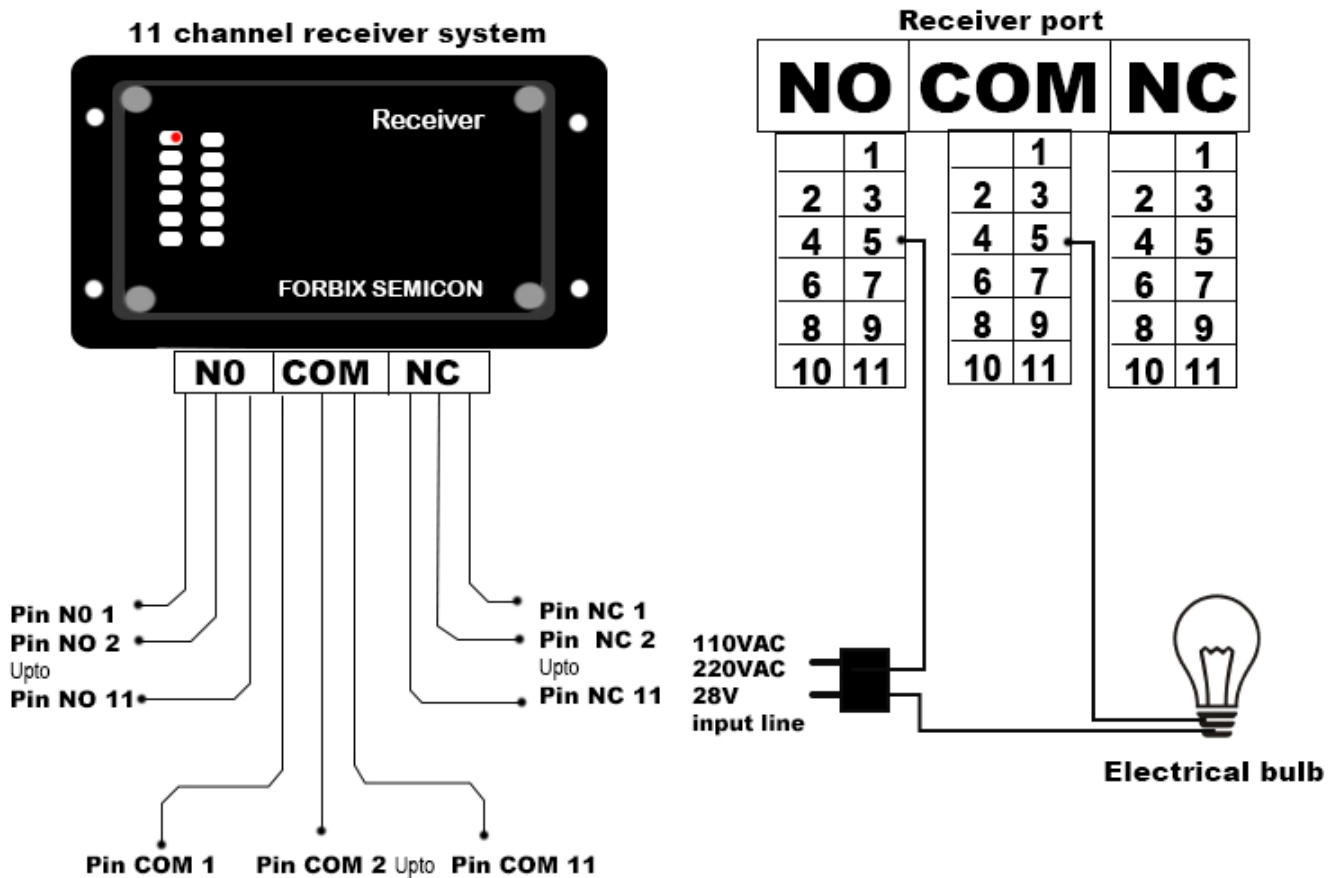
+372 880 1510

Email: sales@forbixindia.com

FBX7R11R5: Wireless 11 channel receiver wiring diagram

Technical specification

Wiring connection diagram



FORBIX SEMICON INDIA PVT. LTD.
Bangalore, India
Website: <https://www.forbixindia.com>
+91 9742370190 / +91 9742159846

FORBIX Osäühing,
Tallinn, Estonia
Website: <https://www.forbix.eu>
+372 880 1510

Email: sales@forbixindia.com



Bottom view of 11 port Receiver unit